

DATA SHEET

VULCAN-2 Conventional Sounder-Beacon



The Vulcan 2 is a low consumption sounder designed to be used as an unobtrusive low profile sounder or as a base sounder to be installed in conjunction with a conventional detector. This leads to reduced installation costs and improves the aesthetics of the fire alarm system.

Four different tones are available and selected by jumpers. The Sound level can be adjusted if required, using the potentiometer.

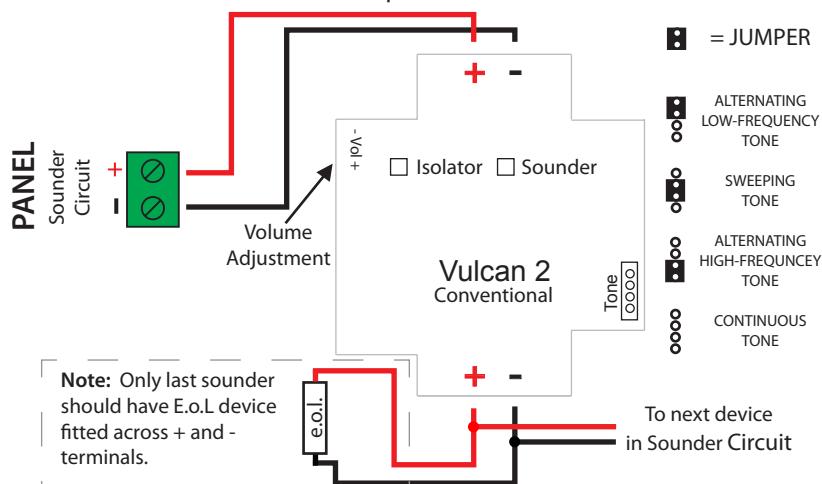
The complete range is composed of 3 varieties in both base and wall mounted versions: Beacon, Sounder and combined Sounder/ Beacon.

VULCAN 2-Sounder/Beacon BASE



CONNECTIONS AND TONE CONFIGURATIONS

Please note that this device is polarised.



TECHNICAL SPECIFICATIONS

Supply Voltage	Loop Powered - 17V to 30 V DC	Enclosure - Material	White ABS - Transparent PC - FR rating 94V0
Loop Current - Quiescent	1.1 mA + conventional detector quiescent current	Dimensions	100 mm (D) x 29 mm (H) - w/ LID 37.5 mm (H)
Loop Current - Alarm- 800 to 1000 Hz	4 mA sounder only - 5.5 mA inc. Beacon	Weight	100 g or 120 g with lid
Loop Current - Alarm- 2.0 to 3.0 KHz	7 mA sounder only - 8 mA inc. Beacon	Ordering information	
Loop Current - Alarm Beacon	2.5 mA	FI/SO/C/B/WH	Conventional Sounder
Sounder Output - Low/ High Freq.	84/ 88 dB @ 1 m	FI/SB/C/BE/B/WH	Conventional Sounder/Beacon
Max. Cable Size	2.5 mm ²	FI/BE/C/B/CL	Conventional Beacon
Max. Humidity	95% RH Non-Condensing		
Operating Temperature	0 °C to 40 °C		